

# infrared proximity switch

PB86



The Alpro PB86 infrared proximity switch is designed to be used in conjunction with the full range of Alpro access control products. This proximity switch offers contactless features offering sterile and hygienic operation. The simple swipe of the hand operates the switch, ensuring no contact is required. A feature especially important with the onset of MRSA and other infectious bacteria currently prevalent in hospitals and other communal areas.

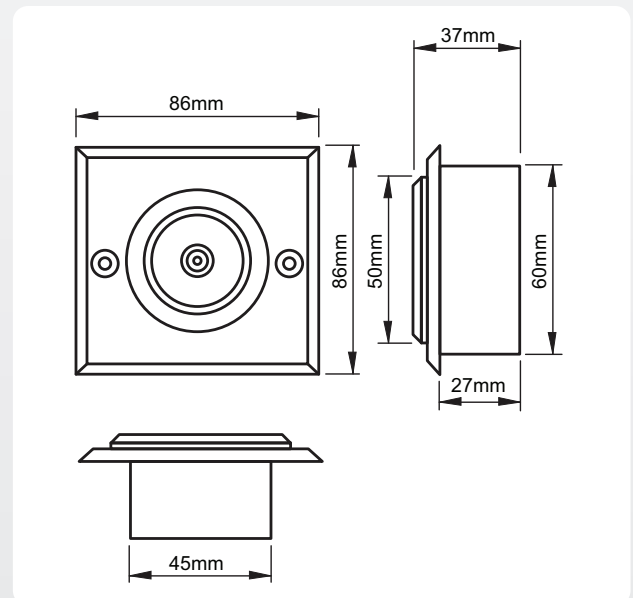


## Function

- Adjustable relay trigger from 1 to 9 seconds
- Easy indication of operation status
- Remote control door open with an infrared keypad (optional)
- Offers one touch point to operate when infrared is abnormal
- Proximity distance is adjustable from 15-27cms
- Suitable for indoor use only

## Specification

- Dimensions: 86 (L) x 86 (W) x 37 (H) mm
- Contact Rating: 0.5A 125vAC  
2A 30vDC  
0.3A 110vDC
- Relay Life: Mechanical: 100,000,000 / Electrical: 500,000
- Operation Temperature: -20°C ~ 55°C
- LED indicator: Blue - Normal  
Green - Active



## Ordering Information/Specifications

### DESCRIPTION

Infrared Proximity Switch  
Remote Control Keypad Unit

### CODE

ALP-PB86  
ALP-RCKU